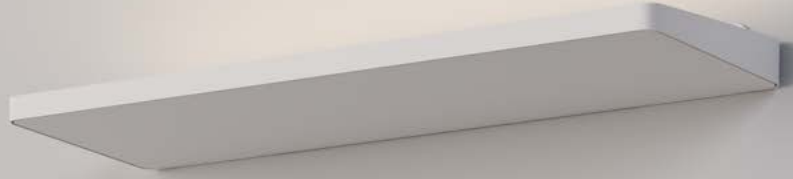


ANGLE

The ANGLE high-performance indirect, asymmetric luminaire boasts a sleek, modern design, perfect for enhancing architectural spaces with both form & function. Engineered for superior illumination it seamlessly blends style with ultimate performance.

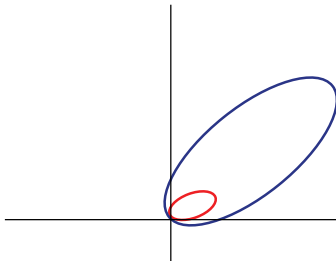


Performance

SIZE	OUTPUT	OPTICS	NOMINAL		
			OUTPUT	INPUT WATTS	EFFICACY
12in	LS - 6,430lm LH - 11,929lm	LIGHT GUIDE	11,929 lm	99 W	119 lm/W
24in	LS - 13,356lm LH - 24,777lm	LIGHT GUIDE	24,777 lm	199 W	120 lm/W
48in	LS - 25,613lm LH - 47,508lm	LIGHT GUIDE	47,508 lm	376 W	132 lm/W

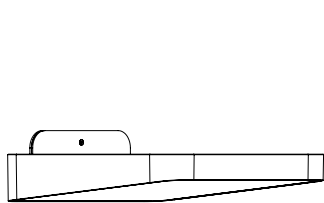
Based on static white 35K.

Indirect Optic Distribution

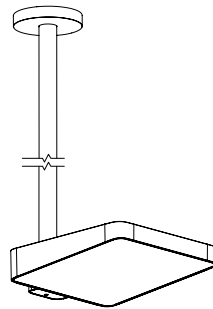


LIGHT GUIDE OPTIC

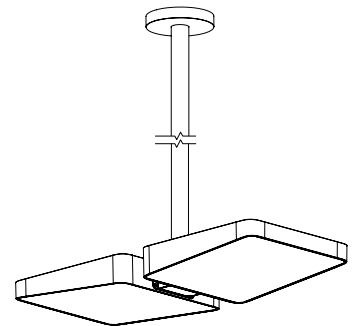
Mounting Options



(WM)
Wall mount



(SP)
Single Pendant mount

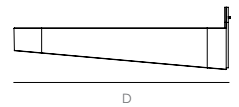
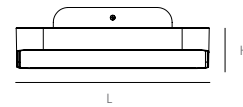


(TP)
Twin Pendant Mount

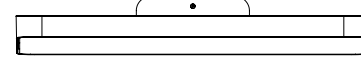
Dimension & Weight

FIXTURE	LENGTH (L)	DEPTH (D)	HEIGHT (H)	WEIGHT
1 FOOT FIXTURE	13 in	14in	2.75 in	16 lbs
2 FOOT FIXTURE	25 in	14in	2.75 in	31 lbs
4 FOOT FIXTURE	49 in	14in	2.75 in	58 lbs

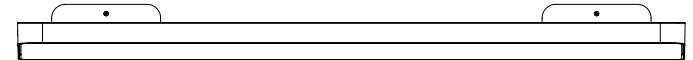
1 FOOT FIXTURE



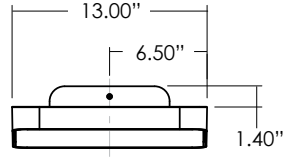
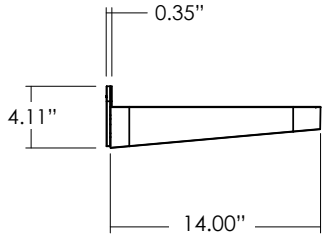
2 FOOT FIXTURE



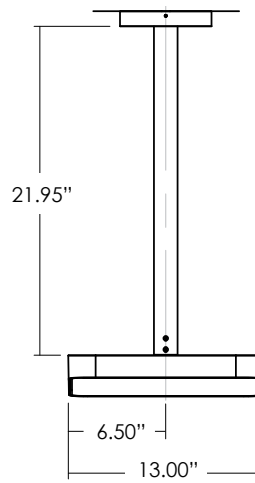
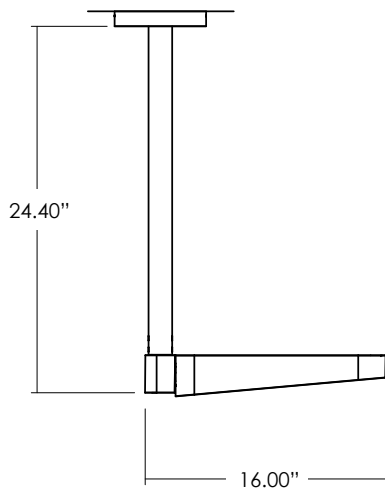
4 FOOT FIXTURE



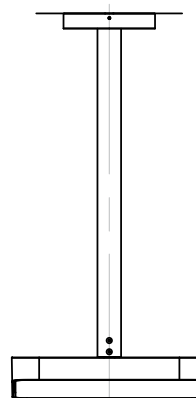
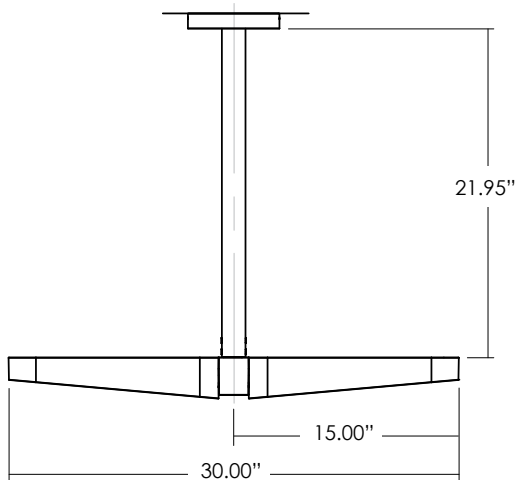
1FT Wall Mount



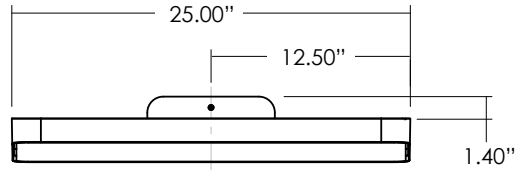
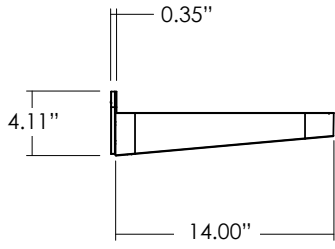
1FT Single Pendant



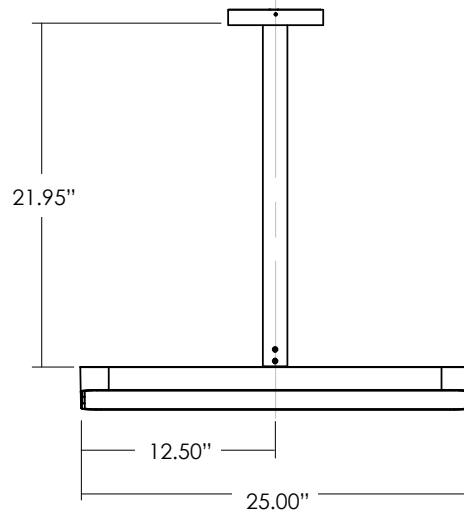
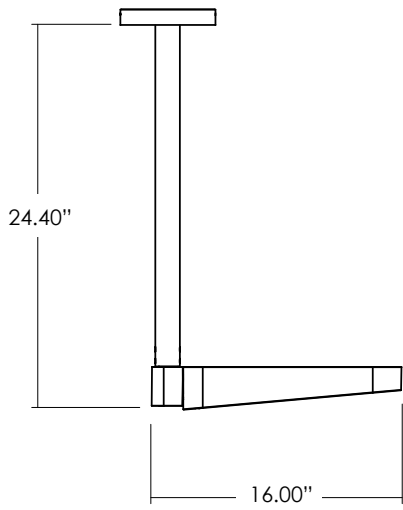
1 FT Twin Pendant



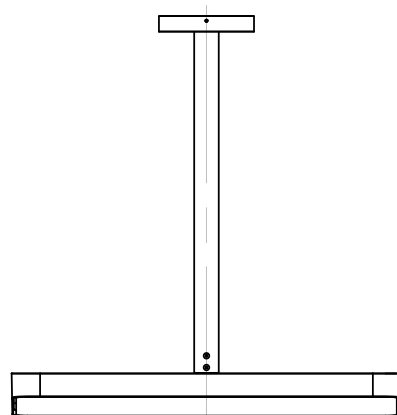
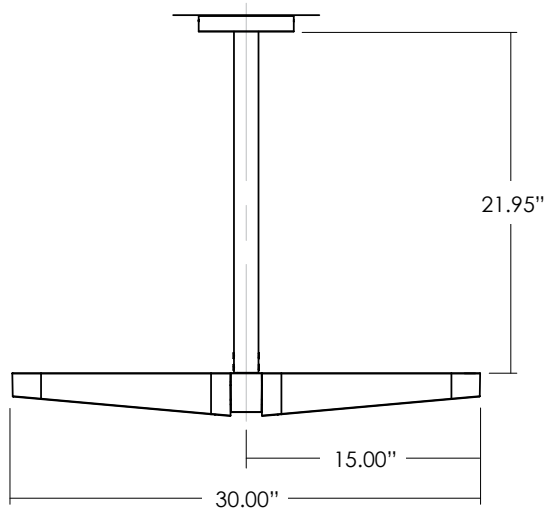
2FT Wall Mount



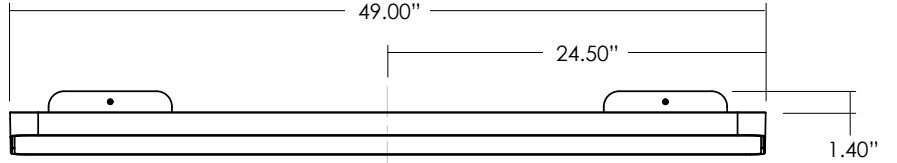
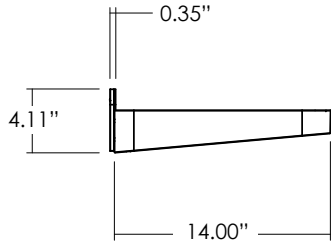
2FT Single Pendant



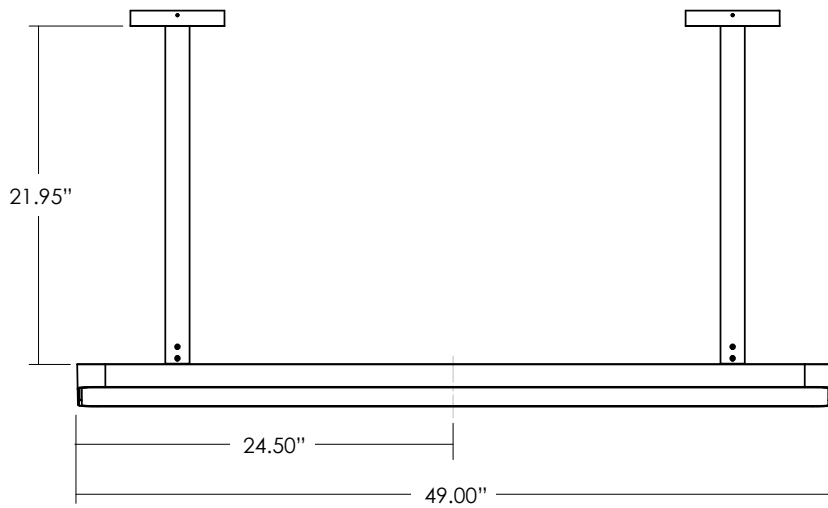
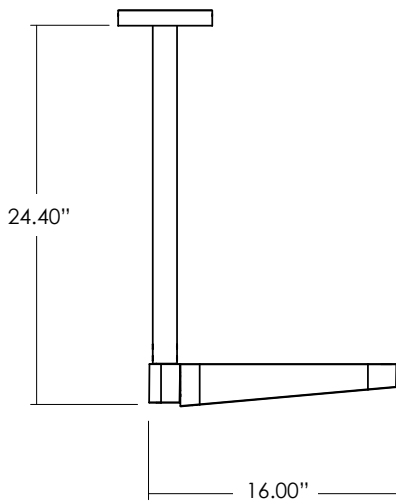
2 FT Twin Pendant



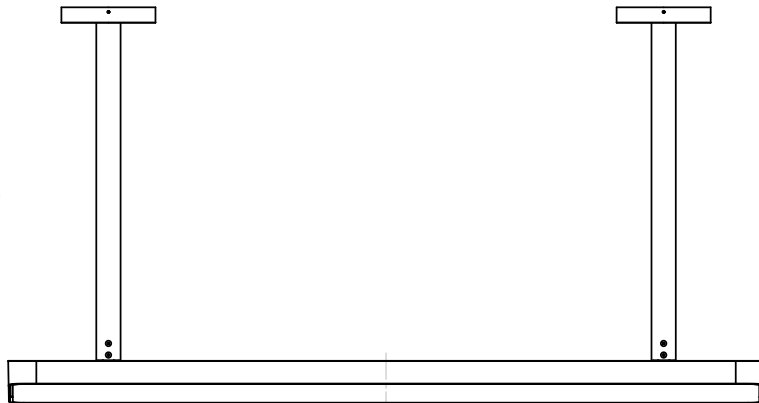
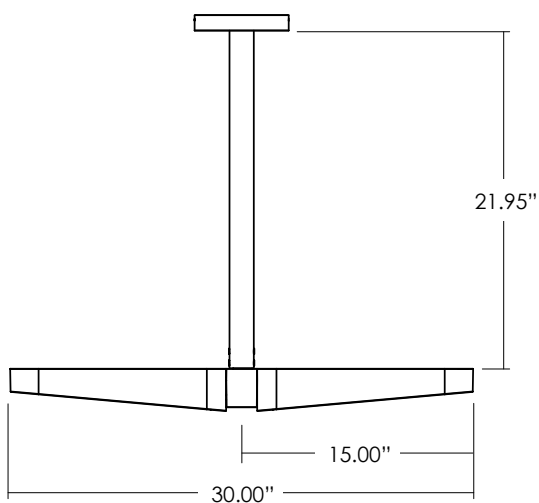
4FT Wall Mount



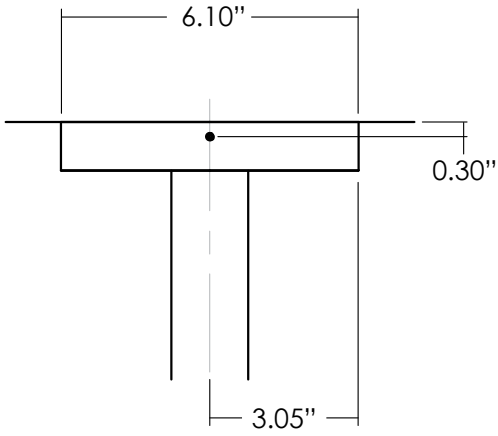
4FT Single Pendant



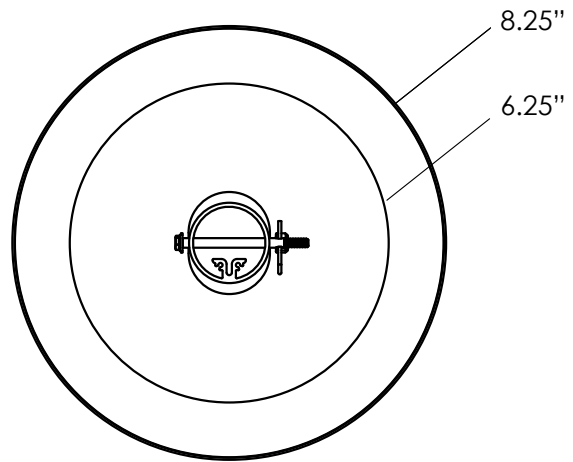
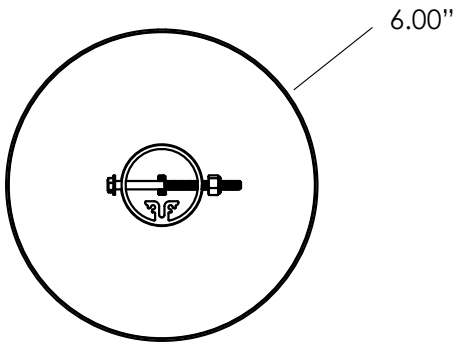
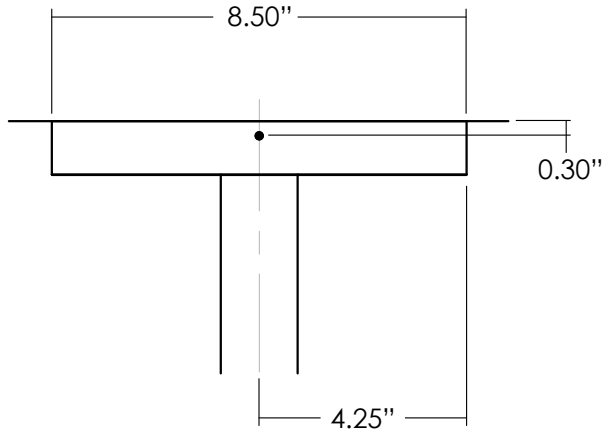
4 FT Twin Pendant



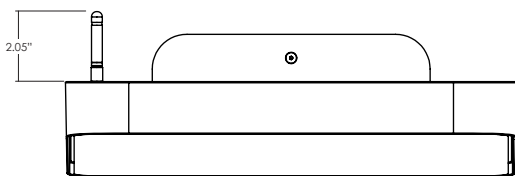
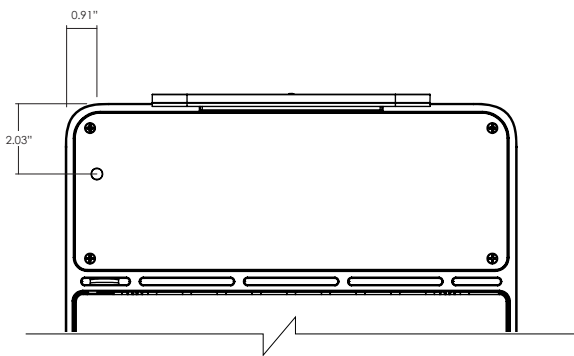
Fixed Canopy



Swivel Canopy



nLight Air Antenna Position



Light loss factors (LLF)

OUTPUT	CCT	INDIRECT - 1 FOOT					
		STANDARD		DUST COVER		NATATORIUM	
		CRI 80 +	CRI 90 +	CRI 80 +	CRI 90 +	CRI 80 +	CRI 90 +
LH (high)	4000k	12158 lm	11629 lm	10918 lm	10442 lm	10425 lm	9971 lm
	3500k	11929 lm	11502 lm	10712 lm	10329 lm	10229 lm	9863 lm
	3000k	11831 lm	11283 lm	10624 lm	10131 lm	10154 lm	9675 lm
	2700k	11413 lm	10809 lm	10248 lm	9706 lm	9786 lm	9269 lm
LS (standard)	4000k	6553 lm	6268 lm	5885 lm	5629 lm	5623 lm	5623 lm
	3500k	6430 lm	6200 lm	5774 lm	5567 lm	5517 lm	5320 lm
	3000k	6377 lm	6082 lm	5727 lm	5461 lm	5472 lm	5218 lm
	2700k	6152 lm	5826 lm	5524 lm	5232 lm	5278 lm	4999 lm

Factors above for high output (LH).
For standard output (LS) -50%.

OUTPUT	CCT	INDIRECT - 2 FEET					
		STANDARD		DUST COVER		NATATORIUM	
		CRI 80 +	CRI 90 +	CRI 80 +	CRI 90 +	CRI 80 +	CRI 90 +
LH (high)	4000k	25252 lm	24153 lm	22559 lm	21576 lm	21814 lm	20864 lm
	3500k	24777 lm	23891 lm	22134 lm	21342 lm	21403 lm	20638 lm
	3000k	24574 lm	23434 lm	21953 lm	20935 lm	21228 lm	20243 lm
	2700k	23704 lm	22451 lm	21176 lm	20056 lm	20476 lm	19394 lm
LS (standard)	4000k	13612 lm	13020 lm	13014 lm	12477 lm	11764 lm	11764 lm
	3500k	13356 lm	12878 lm	12769 lm	12312 lm	11542 lm	11129 lm
	3000k	13247 lm	12632 lm	12665 lm	12077 lm	11448 lm	10917 lm
	2700k	12778 lm	12102 lm	12216 lm	11570 lm	11042 lm	10458 lm

Factors above for high output (LH).
For standard output (LS) -50%.

OUTPUT	CCT	INDIRECT - 4 FEET					
		STANDARD		DUST COVER		NATATORIUM	
		CRI 80 +	CRI 90 +	CRI 80 +	CRI 90 +	CRI 80 +	CRI 90 +
LH (high)	4000k	48420 lm	46311 lm	43911 lm	41999 lm	41847 lm	40025 lm
	3500k	47508 lm	45809 lm	43084 lm	41543 lm	41059 lm	39591 lm
	3000k	47119 lm	44933 lm	42732 lm	40749 lm	40732 lm	38834 lm
	2700k	45451 lm	43048 lm	41219 lm	39039 lm	39282 lm	37204 lm
LS (standard)	4000k	26105 lm	24968 lm	23683 lm	22652 lm	22572 lm	22572 lm
	3500k	25613 lm	24697 lm	23237 lm	22406 lm	22147 lm	21355 lm
	3000k	25404 lm	24225 lm	23047 lm	21978 lm	21966 lm	20947 lm
	2700k	24304 lm	23208 lm	22231 lm	21055 lm	21188 lm	20068 lm

Factors above for high output (LH).
For standard output (LS) -50%.

DIMENSIONS

The product is offered in 1, 2, and 4-foot lengths. Each size maintains the same slim profile, with a front edge height of 1.75 inches and a depth of 14 inches

OPTICS

Angle uses advanced in-house developed optics to create a stunning indirect asymmetric light distribution. The meticulously designed extraction features on the edge lit optics allow the light to reach far forward, creating a beautiful and impactful illumination.

WALL SHIELDING

For wall shielding, our advanced optics feature a blacked-out edge to minimize backlight, making it particularly useful for wall-mounted fixtures. Specifying the fixture with wall shielding will result in a 12% reduction in lumen output.

LED LIGHT SOURCE

Custom manufactured linear board array uses high performance Nichia® LED in combination with a performance driven heat sink technology. Tested in accordance with LM79 and LM-80; L70>60,000hr; operated at reduced output for high efficacy and lumen maintenance. 2700K, 3000K, 3500K, and 4000K with standard 80+ CRI; other color temperatures and 90+ CRI available. LED color variation is maintained at a 3-step MacAdam ellipse (SDCM 3x). LEDs are available in Standard and High outputs. Refer to photometry for delivered lumens.

LED DIMMING DRIVER

Standard constant voltage 120-277V electronic driver with 0-10V dimming control (dim to off). Max Driver life of 100,000 hrs with ambient operating temperature range of -20°C to 60°C, maximum case temperature of 80°C. Electrical specifications at maximum driver load: PF >0.90, THD 20%, >90% Efficiency.

CONTROLS

nLight enabled, remote mounted controls provided by others. Please contact an Acuity controls representative for more information.

MOUNTING

Discover the versatility of our product with three elegant mounting options: wall mount, single pendant, and twin pendant. The thoughtfully designed French cleat system on the back of the fixture ensures effortless installation across all mounting styles. Pendant stems are available in a range of lengths from 1 to 6 feet, offering flexibility to suit any space. To ensure the fixture's stability, additional bracing in the ceiling and wall is required to support its weight. This is required for all fixture sizes.

STRUCTURE

The body is crafted from robust, high-quality cast aluminum. Its elegant and smart design ensures efficient heat sinking for the light engines within the fixture. With integrated drivers, this all-in-one fixture is simple to install. The 1-foot fixture weighs approximately 16 lbs, the 2-foot fixture weighs around 31 lbs, and the 4-foot fixture weighs about 58 lbs.

FINISH

Electrostatically applied powder coat finish. Standard finish options include titanium, white, and black. Other colors and custom finish options available, specify RAL# or contact factory regarding custom finish requirements. Canopy and cover plates standard finish is white, unless otherwise noted.

LISTING

UL/CUL rated for Damp Locations. Tested in accordance with UL 1598 and certified to CEC/CSA C22.2.

The Angle 2 is assembled in the U.S.A. and comply with the Buy America(n) Act (BAA), Build America, Buy America (BABA) government procurement requirements under FAR, DFARS, and DOT.

WARRANTY

Visit our website to learn more: www.alights.com/downloads/warranty/