

ANGLE MINI

Powerful and discreet, the Angle Mini effectively delivers high-quality, indirect light, combining precision and visual comfort to enhance any environment with fewer fixtures. Its sleek, configurable design ensures uniformity and low glare, providing versatile, high-performance lighting that adapts to modern architectural needs while maximizing efficiency.

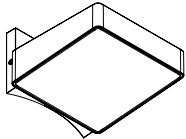


Performance

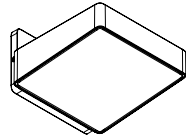
SIZE	OUTPUT	OPTICS	DELIVERED		
			OUTPUT	INPUT WATTS	EFFICACY
7in	4,000lm	LIGHT GUIDE	4,000 lm	50 W	80 lm/W

Based on static white 40K. For the complete photometric data of this fixture refer to page 5.

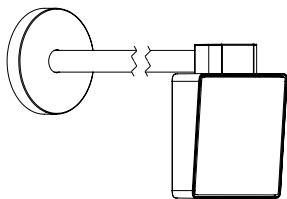
Mounting Options



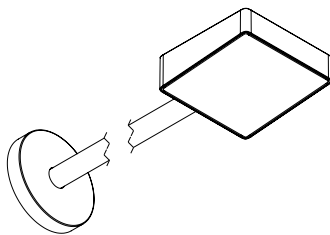
(CM)
Column mount



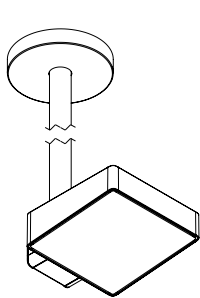
(WM)
Wall Mount



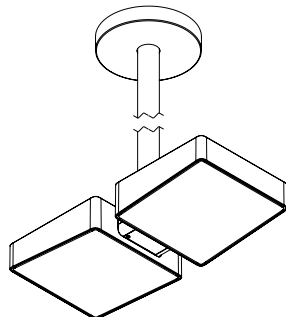
(SP)
Single Pendant



(WMS)
Wall Mount Stem



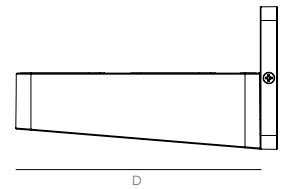
(SP)
Single Pendant



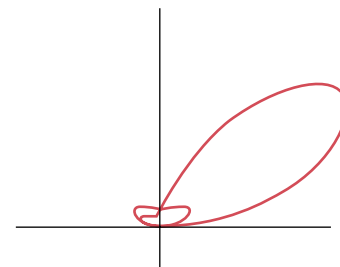
(TWP)
Twin Pendant

Dimension & Weight

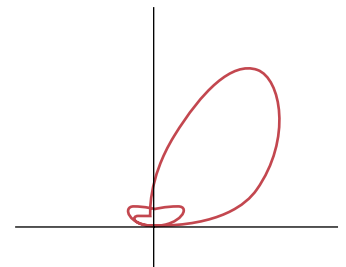
FIXTURE	LENGTH (L)	DEPTH (D)	HEIGHT (H)	WEIGHT
7 INCH FIXTURE	7.2 in	7.2in	2.25 in	4.5 lbs



Photometric



Asymmetric (ASY)



Asymmetric Short (ASYS)



Need help?
 Don't see what you need?
 We know that having so many options can be overwhelming. Please reach out to our factory for any specific request or questions you have.

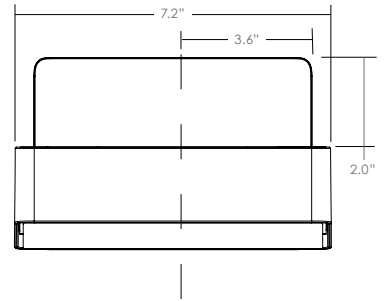
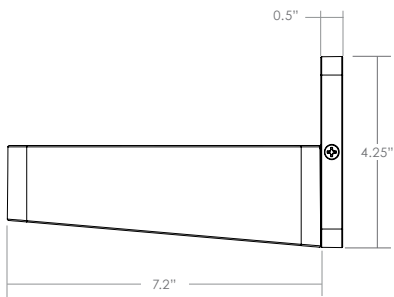
Our Design Assist team
 (designassist@alights.com)
 is here to make the process move smoothly.

ANM	INDIRECT OUTPUT		DISTRIBUTION		INDIRECT CCT		VOLTAGE		DIMMING	
ANM	14000LM 13000LM 12000LM	Indirect High Output Indirect Medium Output Indirect Standard Output	ASY ASYS	Asymmetric Asymmetric Short	27K 30K 35K 40K TW	Indirect 2700K Indirect 3000K Indirect 3500K Indirect 4000K Indirect 2700K -5000K ¹	MVOLT 347	Multi Volt (120-277) 347V ¹	ZT NLTAIR2	0-10V nLight AIR ¹
		¹ Contact Design Assist for custom tuning ² High Output is the maximum setting			¹ Tunable White is only available in indirect standard output		¹ Remote driver only, provided by others		¹ nLight Air is only available in static white	

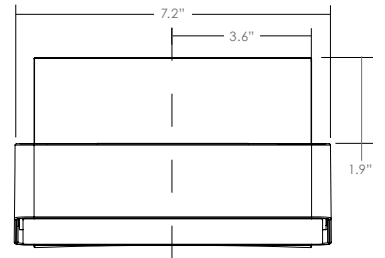
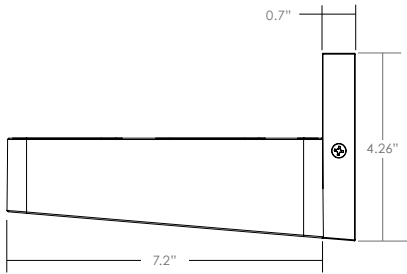
MOUNTING TYPE		CANOPY TYPE		EXTERIOR FINISH		ENVIRONMENT		WALL SHIELDING	
WM	Wall Mount	F	Fixed canopy	WHT	White	WL	Wet Location	-	None
WMS_	Wall Mount Stem ¹	S	Swivel Canopy ¹	BLK	Black	NAT	Natatorium ¹	WC	Wall Shielding ¹
SP_	Single Pendant ²			TNM	Titanium				
TWP_	Twin Pendant ²			RAL	RAL ¹				
CM	Column Mount ³			CCM	Custom Color Match				
¹ Stems available in 1.5', 2', and 3' lengths. ² Stems available in 1.5', 2', 3', 4', 5', and 6' lengths. Contact Design Assist for custom lengths. ³ Column mount for 1.6-18inch columns. For larger one, order the flush wall mount.		¹ Swivel canopy available for single and twin pendant ceiling only. ² Swivel canopy is not applicable for wall-mount application.		¹ Specify 4 digit RAL code		¹ Natatorium Fixtures are provided with coating specifically designed for harsh environments.		¹ Wall shielding selection reduce output by 12%.	

Mountings

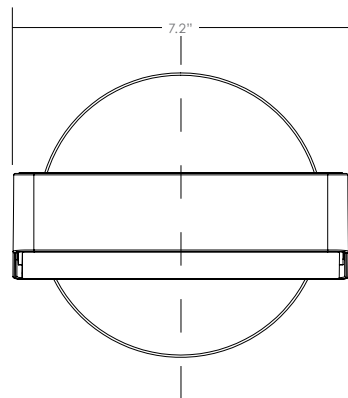
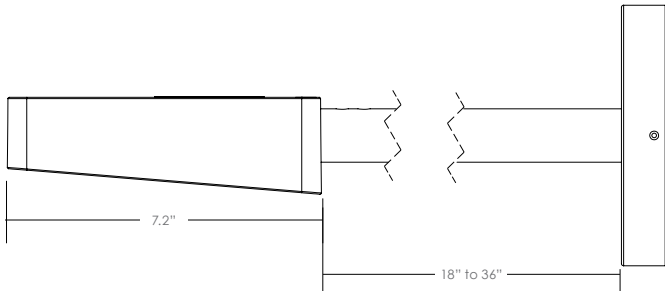
Wall Mount



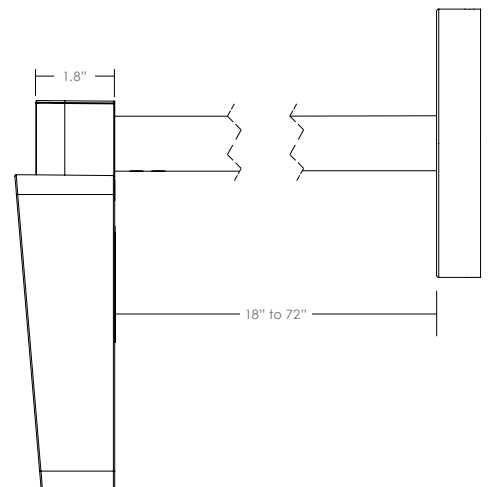
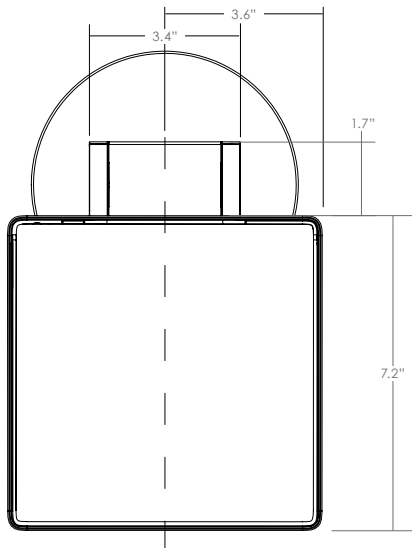
Column Mount



Wall Mount Stem



Single Pendant



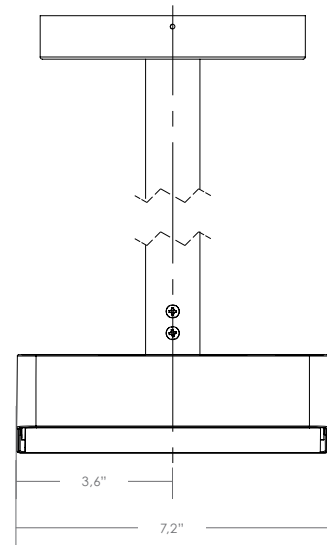
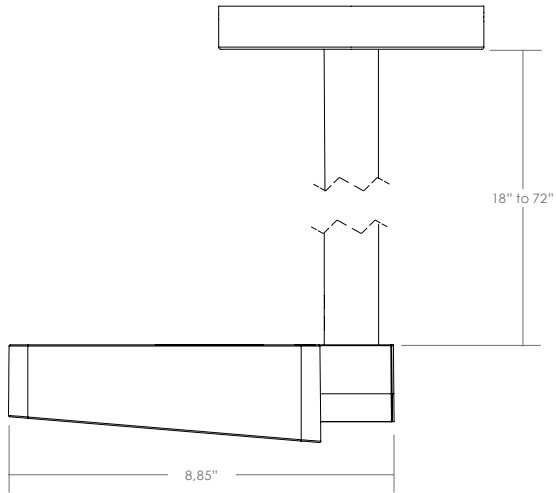
Project name

Type

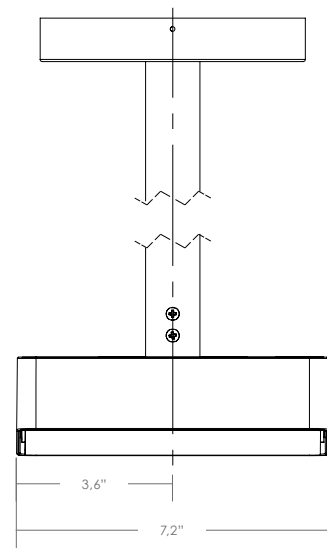
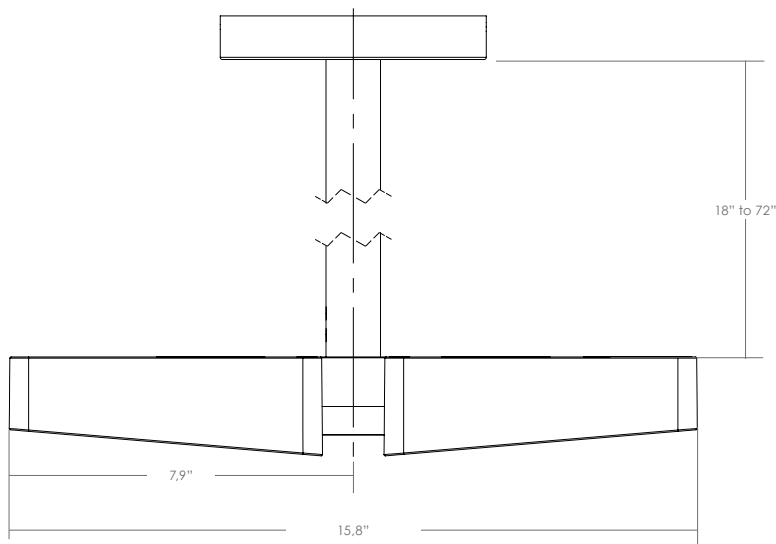
Date

Quantities

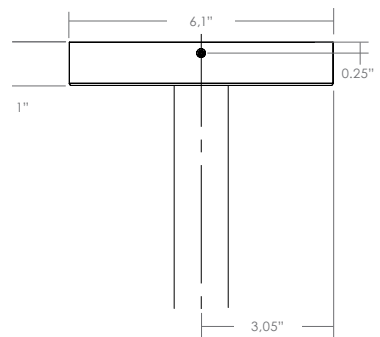
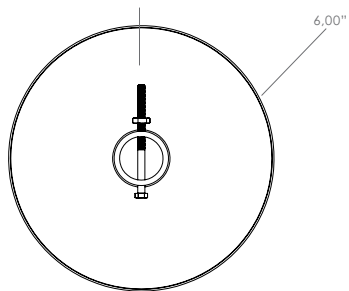
Single Pendant



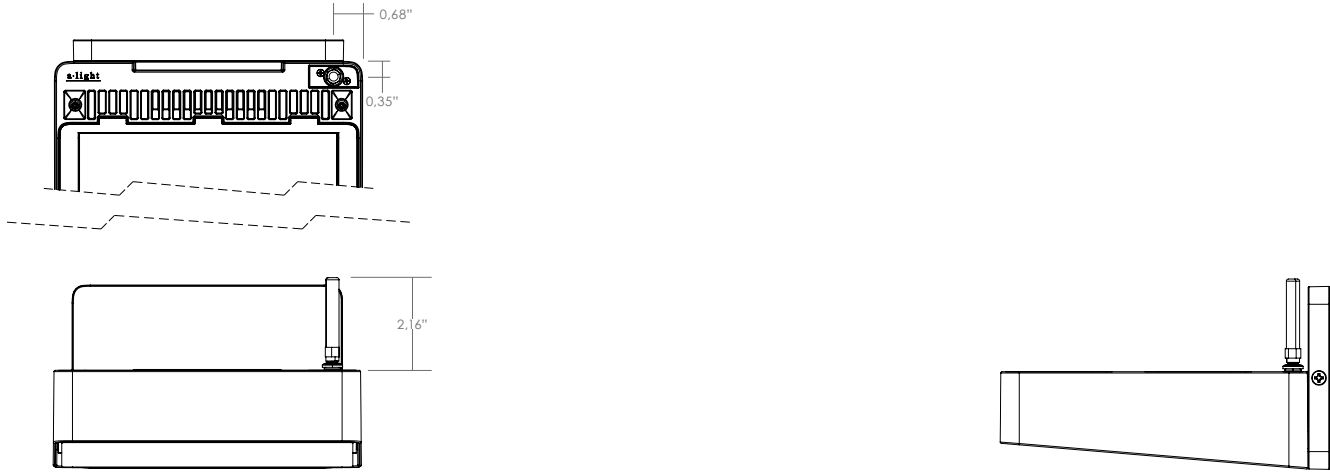
Twin Pendant



Canopy - Fixed or Swivel



nLight Air antenna position



Light loss factors (LLF)

OUTPUT	CCT		
		REGULAR THROW	SHORT THROW
		CRI 90 +	CRI 90 +
LH (high)	4000k	4000 lm	3600 lm
	3500k	3925 lm	3533 lm
	3000k	3892 lm	3505 lm
	2700k	3755 lm	3380 lm
LM (Medium)	4000k	3000 lm	2700 lm
	3500k	2944 lm	2650 lm
	3000k	2919 lm	2627 lm
	2700k	2816 lm	2535 lm
LS (Standard)	4000k	2000 lm	1900 lm
	3500k	1963 lm	1864 lm
	3000k	1941 lm	1849 lm
	2700k	1878 lm	1743 lm

Factors above for high output (LH).
For standard output (LS) -50%.

DIMENSIONS

The product is offered in a compact format measuring 7.2 inches in length, with a height of 2.25 inches. It features a slim profile with a front edge height of 1.75 inches and an overall depth of 7.2 inches

OPTICS

Angle Mini uses advanced in-house developed optics to create a stunning indirect asymmetric light distribution. The meticulously designed extraction features on the edge lit optics allow the light to reach far forward, creating a beautiful and impactful illumination.

WALL SHIELDING

For wall shielding, our advanced optics feature a blacked-out edge to minimize backlight, making it particularly useful for wall-mounted fixtures. Specifying the fixture with wall shielding will result in a 12% reduction in lumen output.

LED LIGHT SOURCE

Custom-manufactured linear board array uses high-performance Nichia® LEDs in combination with a performance-driven heat sink technology. Tested in accordance with LM-79 and LM-80; L70 > 60,000 hours; operated at reduced output for high efficacy and lumen maintenance. Available in 2700K, 3000K, 3500K, and 4000K color temperatures. LED color variation is maintained within a 3-step MacAdam ellipse (SDCM 3x). LEDs are available in Standard, Medium and High outputs. Refer to photometry for delivered lumens.

LED DIMMING DRIVER

Standard constant voltage 120-277V electronic driver with 0-10V dimming control (dim to off). Max Driver life of 100,000 hrs with ambient operating temperature range of -20°C to 60°C, maximum case temperature of 80°C. Electrical specifications at maximum driver load: PF >0.90, THD 20%, >90% Efficiency.

CONTROLS

nLight enabled, remote mounted controls provided by others. Please contact an Acuity controls representative for more information.

MOUNTING

Discover the versatility of our product with six elegant mounting options: wall mount, wall mount with stem, single pendant wall wash, single pendant ceiling wash, twin pendant ceiling wash, and column mount. Pendant stems are available in a range of lengths from 1 to 6 feet, offering flexibility to suit any space.

STRUCTURE

The body is crafted from robust, high-quality cast aluminum. Its elegant and smart design ensures efficient heat sinking for the light engines within the fixture. With integrated drivers, this all-in-one fixture is simple to install. The Angle Mini weighs approximately 4.5 lbs.

FINISH

Electrostatically applied powder coat finish. Standard finish options include titanium, white, and black. Other colors and custom finish options available, specify RAL# or contact factory regarding custom finish requirements. Canopy and cover plates standard finish is white, unless otherwise noted.

LISTING

UL/CUL rated for Wet Locations. Tested in accordance with UL 1598 and certified to CEC/CSA C22.2. The Angle Mini is assembled in the U.S.A. and complies with the Buy America(n) Act (BAA), government procurement requirements under FAR, DFARS, and DOT.

WARRANTY

Visit our website to learn more: www.alights.com/downloads/warranty/